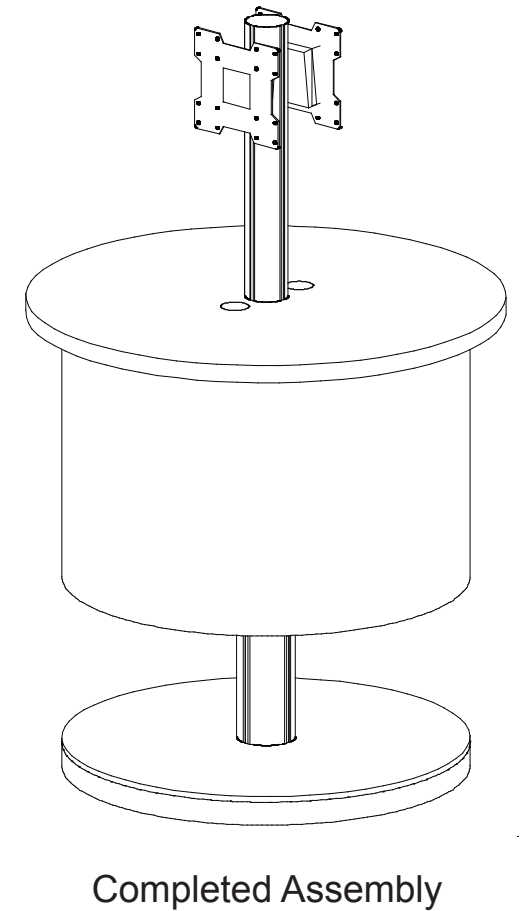
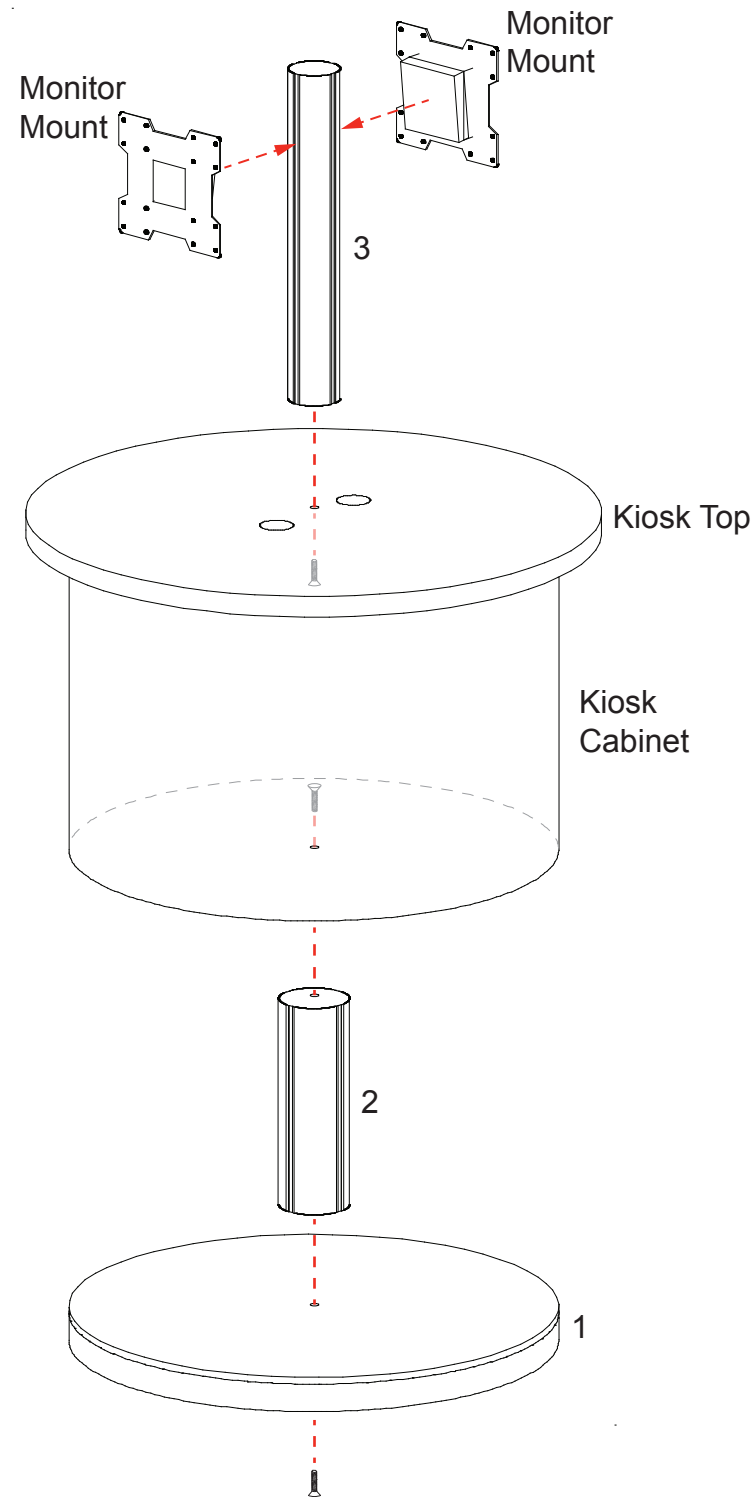
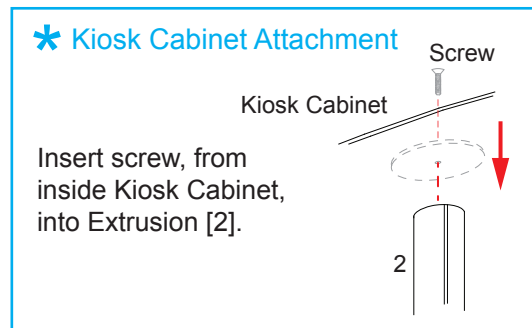
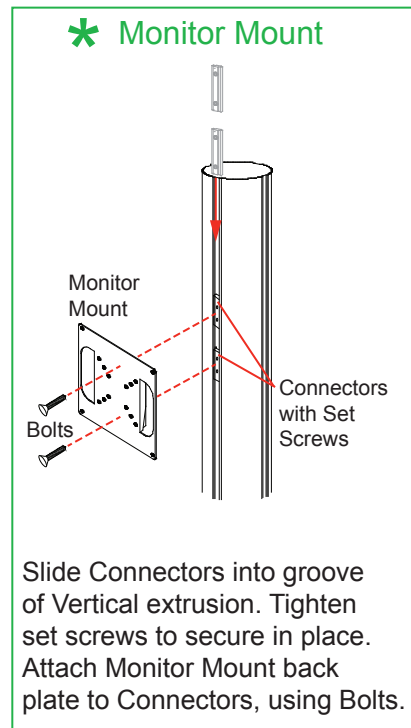


Item	Qty.	Description
1	1	Base
2	1	15" RR125 Vertical Extrusion
3	1	24" RR91 Vertical Extrusion

Steps:

- 1) Attach vertical extrusion [2] to base [1], using screw.
- 2) Attach Kiosk Cabinet to vertical extrusion [2], using screw.
See [Kiosk Base Attachment](#) detail.
- 3) Attach horizontal extrusion [3] to Kiosk Top, from inside Kiosk Cabinet door, using screw.
- 4) Connect Monitor Mounts to vertical extrusion [3].
See [Monitor Mount](#) detail.



General Setup Instructions

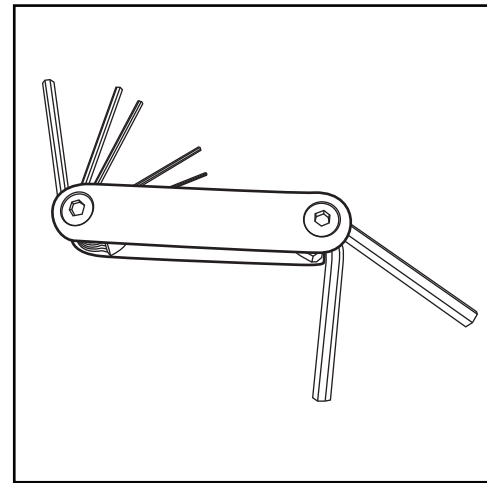
- Read entire setup instruction manual prior to unpacking parts and pieces.
- The setup instructions are created specifically for this configuration.
- Setup instructions are laid out sequentially in steps, including exploded views with detailed explanation for assembly.

Cleaning & Packing

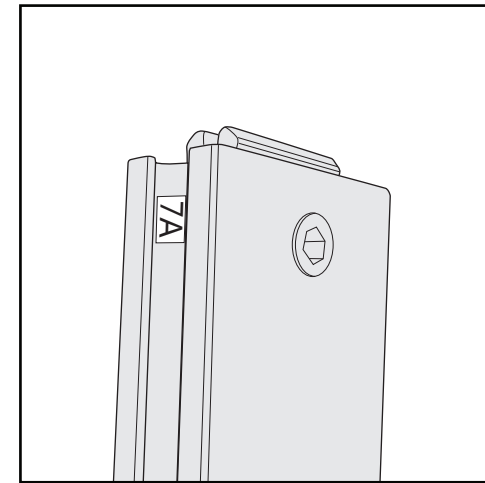
- For Cleaning Metal, Plex, & Laminate Parts: Use a **MILD NON-ABRASIVE** cleanser and soft cloth/paper towel to clean all surfaces.
- Keep exhibit components away from heat and prolonged sun exposure. **Heat and UV exposure will warp and fade components.**
- Retain all provided Packing Materials. All provided packing materials are for ease of repacking & component protection.

Disassembly

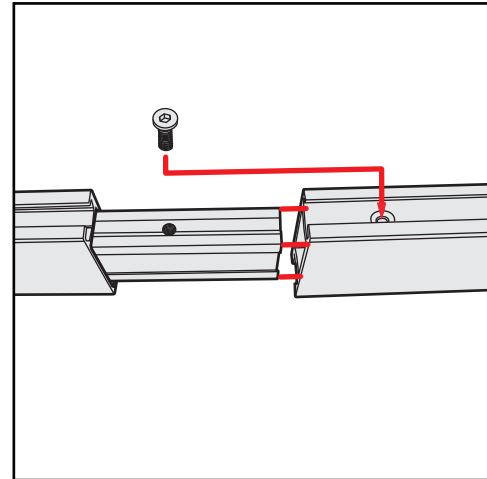
- For loss prevention, tighten all setscrews and locks during disassembly



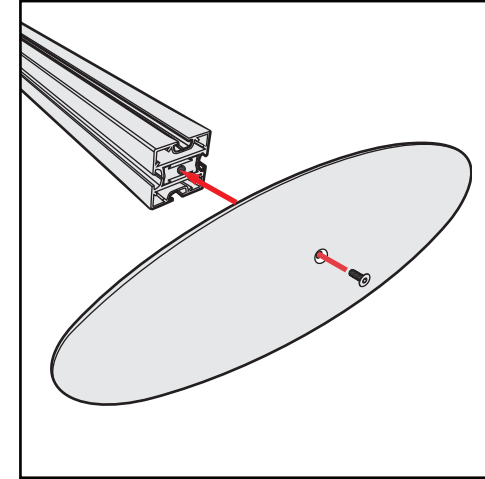
Hex Tool - Essential for Assembly



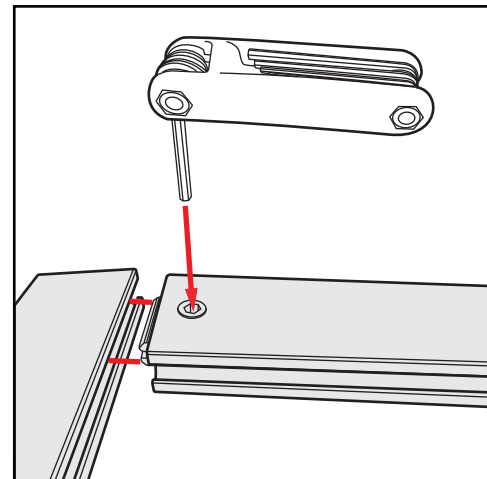
Part Identification - Numbering



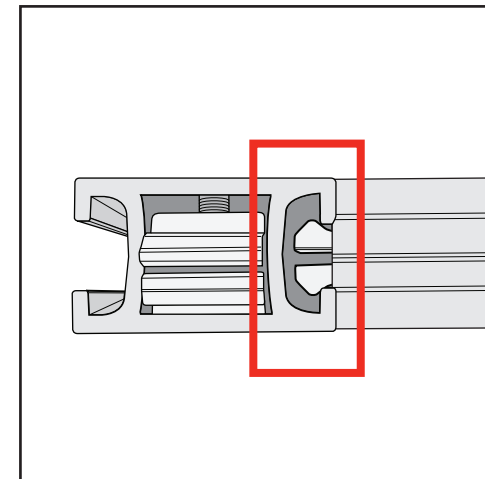
Spline Connection



Base Plate & Extrusion Connection



Extrusion & Lock Connection



Engaged Lock



WARNING



DO NOT USE POWER TOOLS



LADDERS OR LIFTS
MAY BE REQUIRED



ALL CONNECTIONS MUST
BE TIGHTLY SECURED

